

External vibrators 3000 1/min, 50 Hz, 1.2 kN



Datasheet:

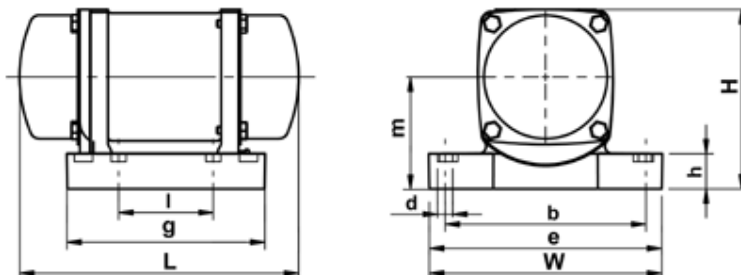
MODELO:	18100
Part No.:	18100202

Technical data:

Adjustable centrifugal force for continuous use [kN] max.:	1.2
Adjustable centrifugal force for continuous use [kN] min.:	0.4
Working moment [kgcm]:	2.4
Mains frequency [Hz]:	50
Synchronous speed [1/min]:	3000
Power input [kW/kVA]:	0.15
Rated voltage range 3~ [V] Delta:	220-260
Rated voltage range 3~ [V] Star:	380-440
Rated current [A]:	0.47-0.3
Enclosure:	IP65
Weight [kg]:	4.7
Remarks:	

Measures:

Outside dimensions L x W x H [mm]:	198 x 165 x 125
Length of base g [mm]:	140
Height of base h [mm]:	25
Width of base e [mm]:	165
Mounting dimensions [mm]:	
Distance between holes l:	115 65
Distance between holes b:	135 140
Diameter of holes d:	10.5 13
Height of shaft [mm]:	78.0



External vibrators 3600 1/min, 60 Hz, 3.0 kN



Datasheet:

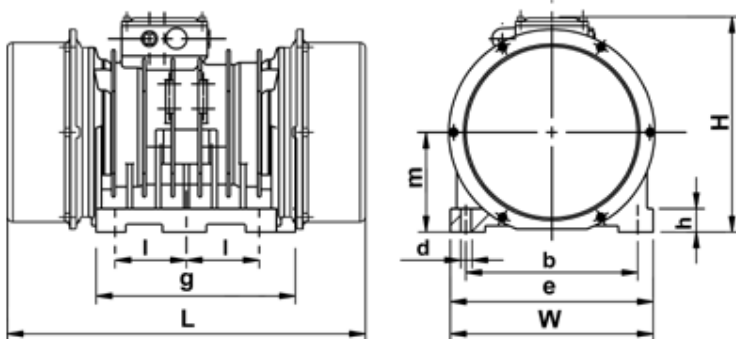
MODELO:	18117
Part No.:	18117214

Technical data:

Adjustable centrifugal force for continuous use [kN] max.:	3.0
Adjustable centrifugal force for continuous use [kN] min.:	1.0
Working moment [kgcm]:	4.2
Mains frequency [Hz]:	60
Synchronous speed [1/min]:	3600
Power input [kW/kVA]:	0.30
Rated voltage range 3~ [V] Delta:	220-265
Rated voltage range 3~ [V] Star:	380-460
Rated current [A]:	1.10-0.0
Enclosure:	IP65
Weight [kg]:	10.0
Remarks:	

Measures:

Outside dimensions L x W x H [mm]:	260 x 160 x 165
Length of base g [mm]:	120
Height of base h [mm]:	100
Width of base e [mm]:	160
Mounting dimensions [mm]:	
Distance between holes l:	90
Distance between holes b:	125
Diameter of holes d:	13
Height of shaft [mm]:	80.0



External vibrators 3000 1/min, 50 Hz, 14.0 kN



Datasheet:

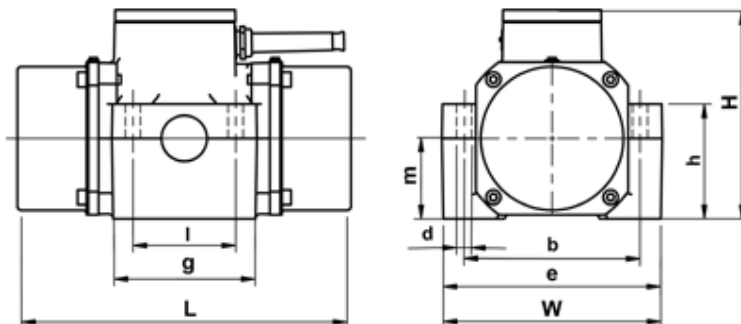
MODELO:	18120
Part No.:	18120202

Technical data:

Adjustable centrifugal force for continuous use [kN] max.:	14.0
Adjustable centrifugal force for continuous use [kN] min.:	4.0
Working moment [kgcm]:	28.0
Mains frequency [Hz]:	50
Synchronous speed [1/min]:	3000
Power input [kW/kVA]:	1.00
Rated voltage range 3~ [V] Delta:	220-260
Rated voltage range 3~ [V] Star:	380-440
Rated current [A]:	3.20-1.9
Enclosure:	IP65
Weight [kg]:	30.0
Remarks:	

Measures:

Outside dimensions L x W x H [mm]:	350 x 250 x 220
Length of base g [mm]:	145
Height of base h [mm]:	125
Width of base e [mm]:	250
Mounting dimensions [mm]:	
Distance between holes l:	100
Distance between holes b:	200
Diameter of holes d:	17
Height of shaft [mm]:	90.0



External vibrators 3000 1/min, 50 Hz, 7.0 kN



Datasheet:

MODELO:	18134
Part No.:	18134102

Technical data:

Adjustable centrifugal force for continuous use [kN] max.:	7.0
Adjustable centrifugal force for continuous use [kN] min.:	2.1
Working moment [kgcm]:	14.0
Mains frequency [Hz]:	50
Synchronous speed [1/min]:	3000
Power input [kW/kVA]:	0.52
Rated voltage range 3~ [V] Delta:	220-260
Rated voltage range 3~ [V] Star:	380-440
Rated current [A]:	1.73-1.0
Enclosure:	IP65
Weight [kg]:	17.0
Remarks:	

Measures:

Outside dimensions L x W x H [mm]:	295 x 190 x 185
Length of base g [mm]:	125
Height of base h [mm]:	100
Width of base e [mm]:	190
Mounting dimensions [mm]:	
Distance between holes l:	90
Distance between holes b:	154
Diameter of holes d:	13
Height of shaft [mm]:	70.0

